

Job Name:

Customer:

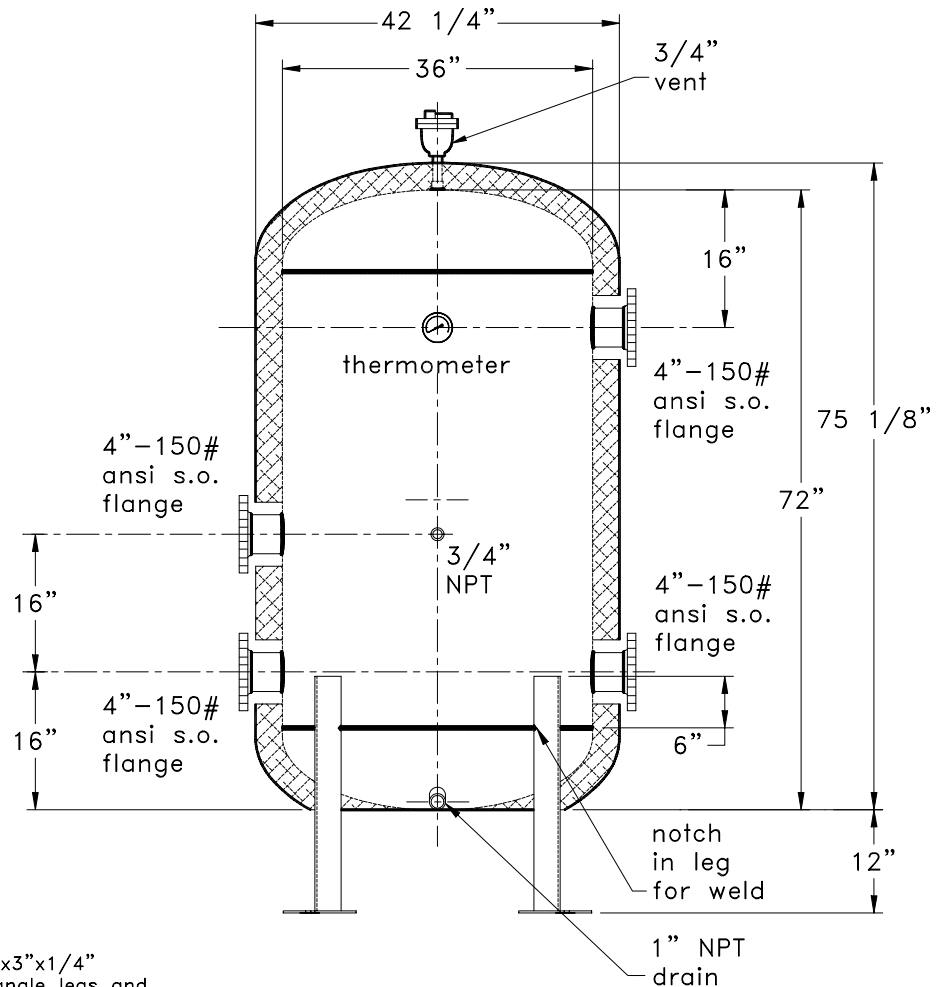
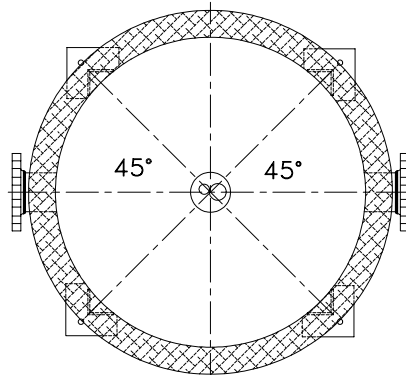
Representative:

Approved By:  Date:



P.O. Box 55  
Cheswick, Pennsylvania 15024

724-274-5430  
Fax: 724-274-5448



(4) 3"x3"x1/4"  
steel angle legs and  
6"x6"x1/4" baseplates w/  
5/8"Ø hole in each plate  
on 44" boltcircle

V300SEB-SL