

Job Name:

Customer:

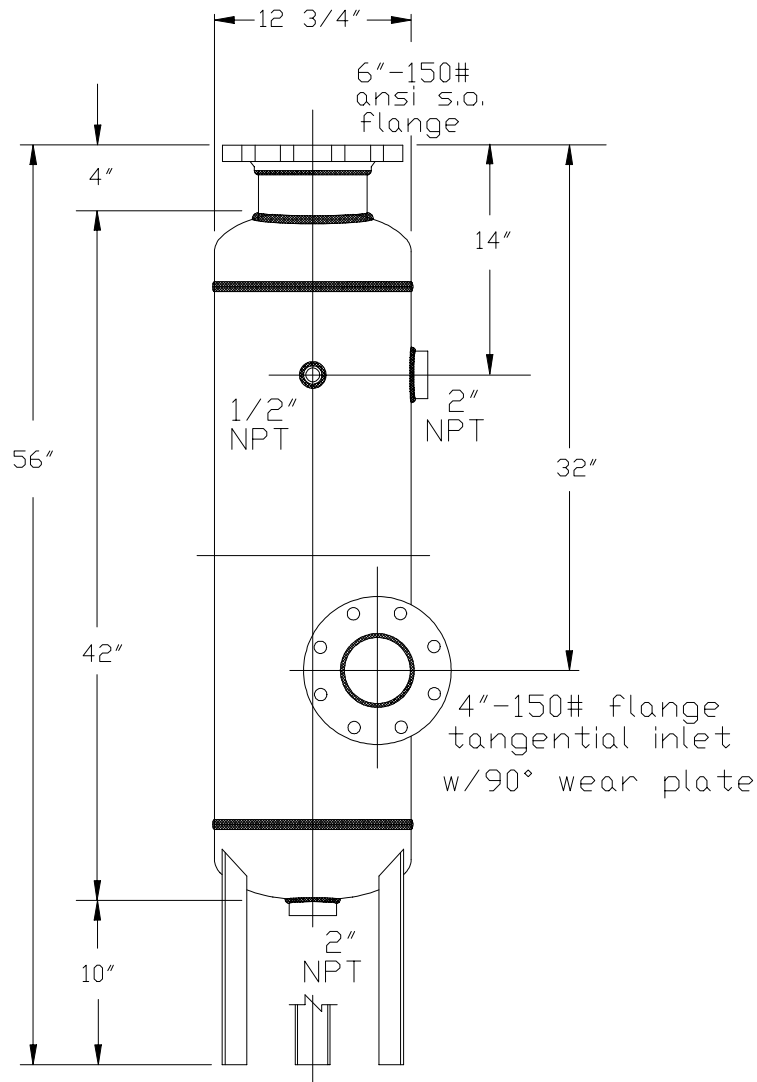
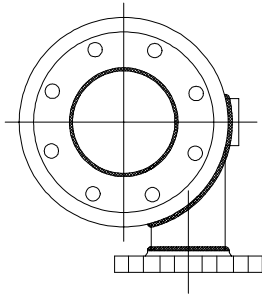
Representative:

Approved By: Date:



P.O. Box 55
Cheswick, Pennsylvania 15024

724-274-5430
Fax: 724-274-5448



V20FST

3 - 1 1/2" x 1 1/2" x 3/16"
steel angle legs