

Job Name:

Customer:

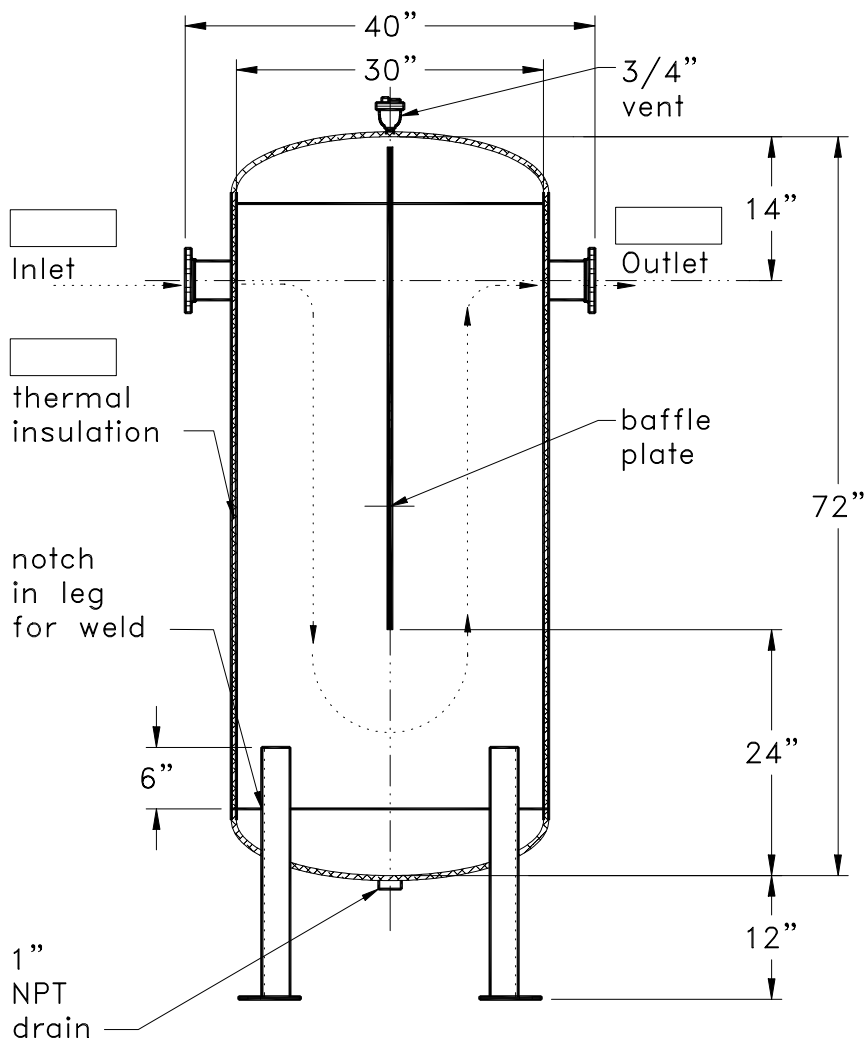
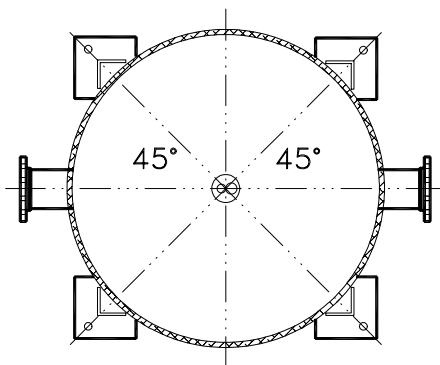
Representative:

Approved By:  Date:



P.O. Box 55  
Cheswick, Pennsylvania 15024

724-274-5430  
Fax: 724-274-5448



(4)  
2-1/2"x2-1/2"x1/4"  
steel angle legs  
and 6"x6"x1/4"  
baseplates w/  
3/4"Ø hole in each  
plate on 36-7/8"  
boltcircle

V200CWB-SL