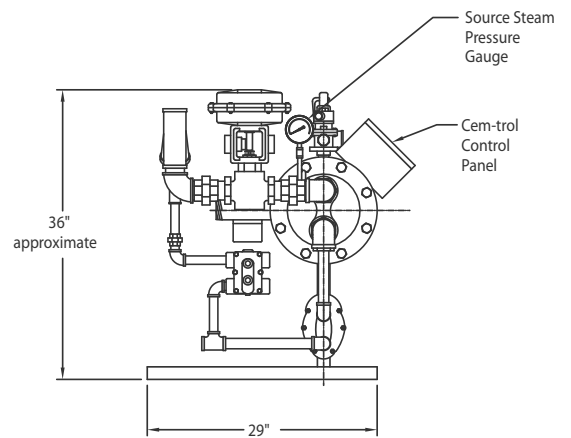


H8SEH830  
Energy source - Steam



\*Dimension may vary based upon actual Control Valve supplied