

Job Name:

Customer:

Representative:

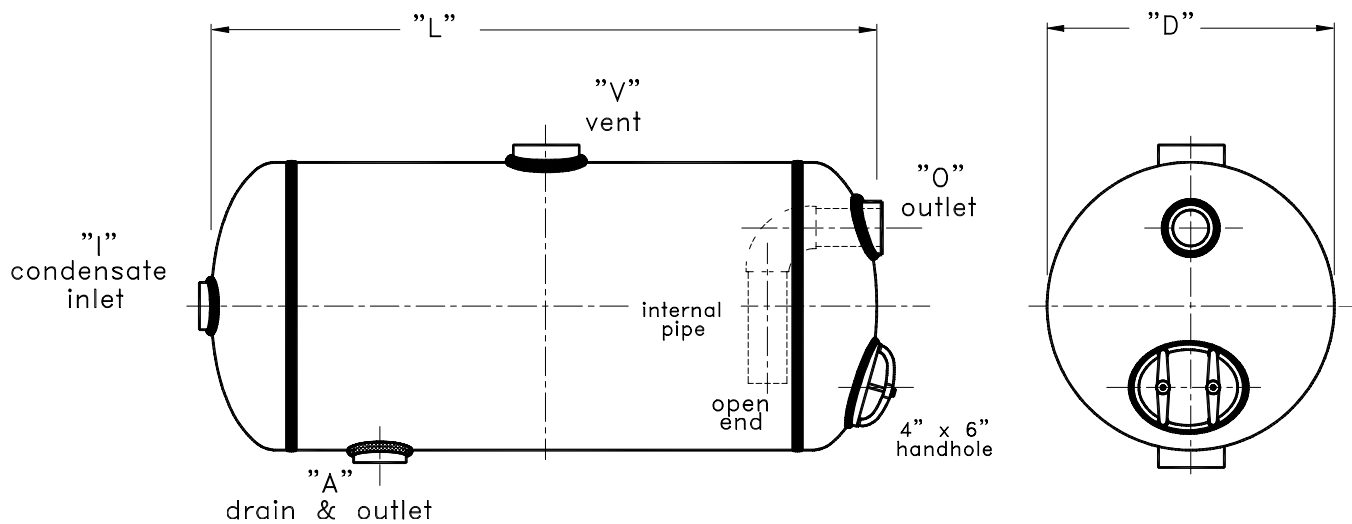
Approved By: Date:



P.O. Box 55
Cheswick, Pennsylvania 15024

724-274-5430
Fax: 724-274-5448

Cemline flash tank—Internal Drop Pipe and Handhole



Selection	Model#	Gallons	"D"	"L"	"I"	"V"	"A"	"O"
	H13FST	13	10 3/4"	39"	1 1/2" NPT	2" NPT	1" NPT	1 1/2" NPT
	H18FST	18	12"	39"	1 1/2" NPT	2" NPT	1" NPT	1 1/2" NPT
	H24FST	24	14"	39"	1 1/2" NPT	2" NPT	1" NPT	1 1/2" NPT
	H30FST	30	16"	38"	1 1/2" NPT	2 1/2" NPT	1 1/2" NPT	1 1/2" NPT
	H48FST	48	18"	48"	2" NPT	2 1/2" NPT	1 1/2" NPT	1 1/2" NPT
	H80FST	80	24"	48"	2" NPT	3" NPT	2" NPT	2" NPT
	H125FST	125	30"	48"	2" NPT	3" NPT	2" NPT	2" NPT
	H180FST	180	36"	48"	2" NPT	3" NPT	3" NPT	2" NPT