

Job Name:

Customer:

Representative:

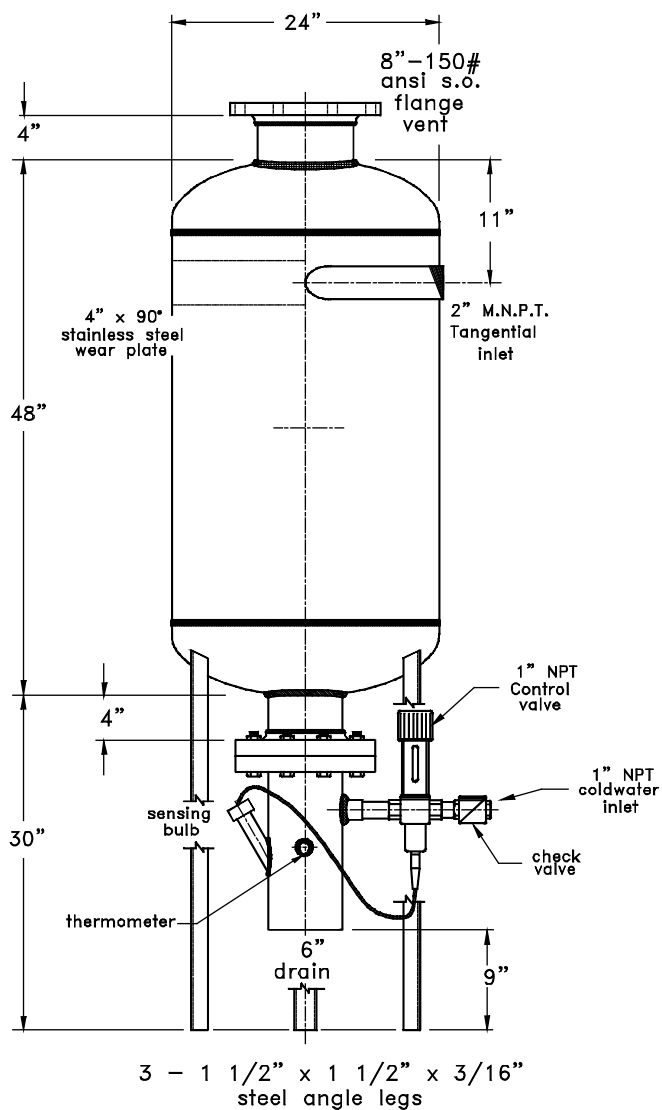
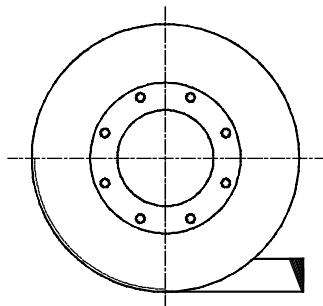
Approved By: Date:



P.O. Box 55
Cheswick, Pennsylvania 15024

724-274-5430
Fax: 724-274-5448

CBO-9 boiler blowoff



3/16" THK
Shell & Heads