

Job Name:

Customer:

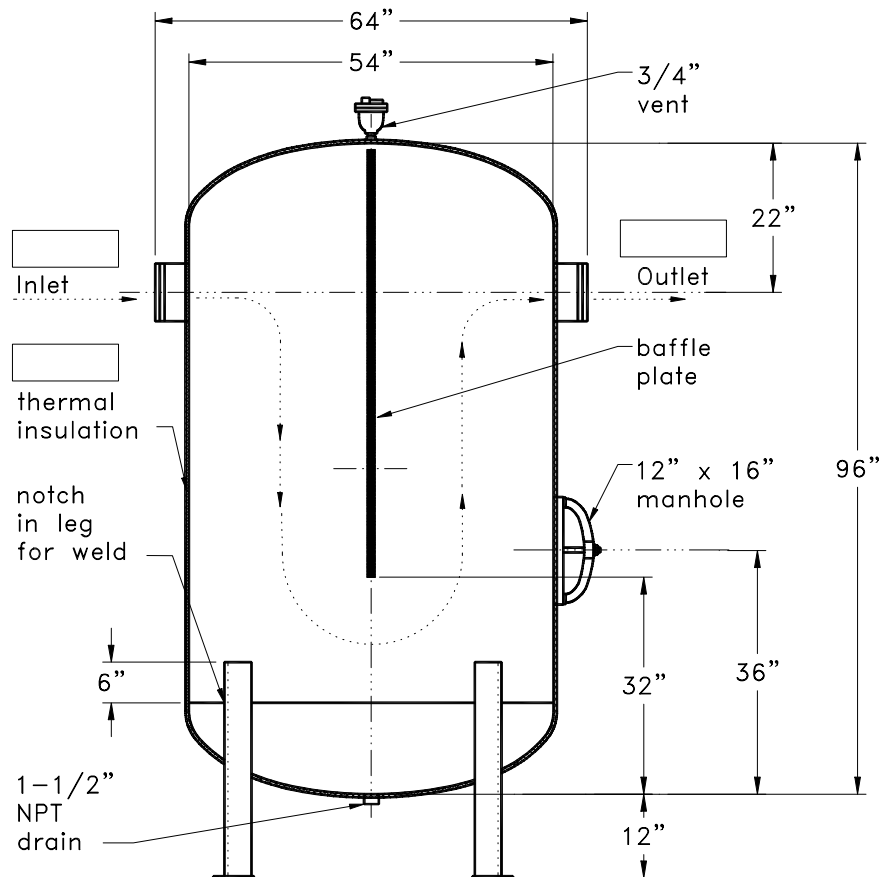
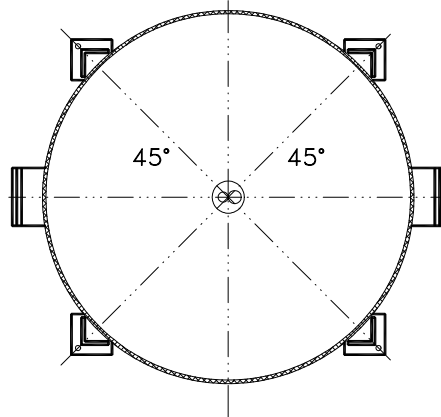
Representative:

Approved By:  Date:



P.O. Box 55  
Cheswick, Pennsylvania 15024

724-274-5430  
Fax: 724-274-5448



(4) 4"x4"x1/2"  
steel angle legs and  
6"x6"x1/2" baseplates w/  
3/4"Ø hole in each plate  
on 62-5/8" boltcircle

V850CWB-G-SL