

Job Name:

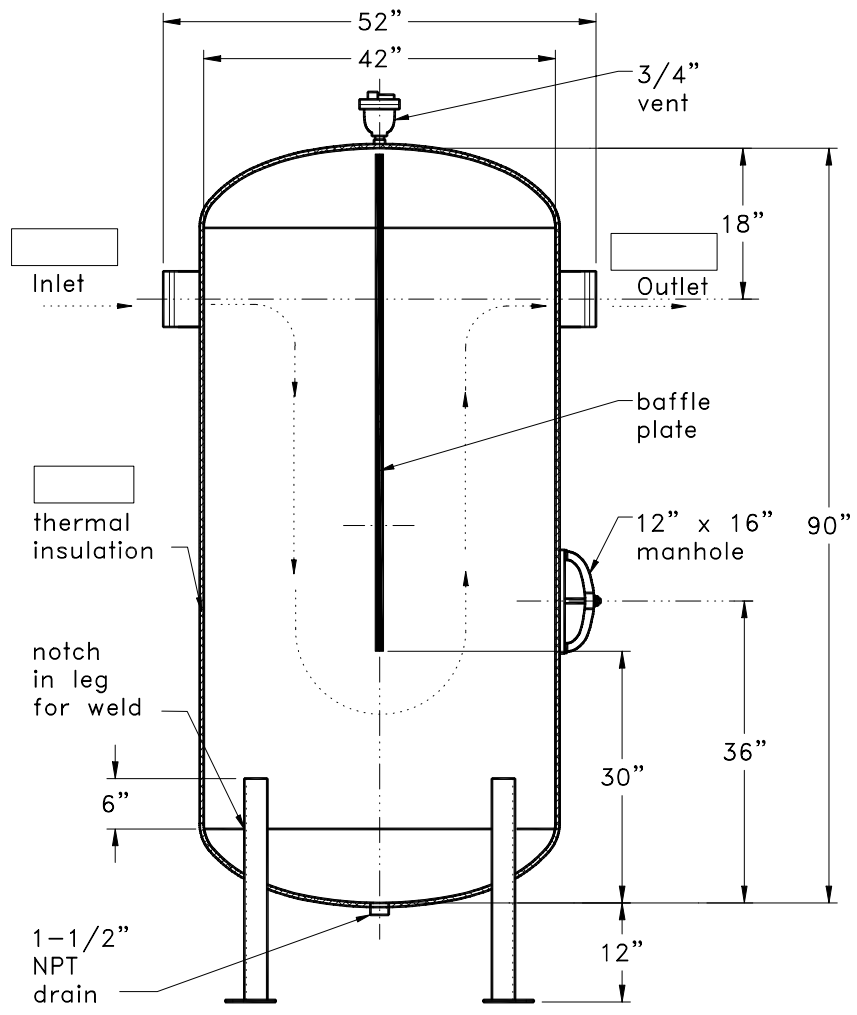
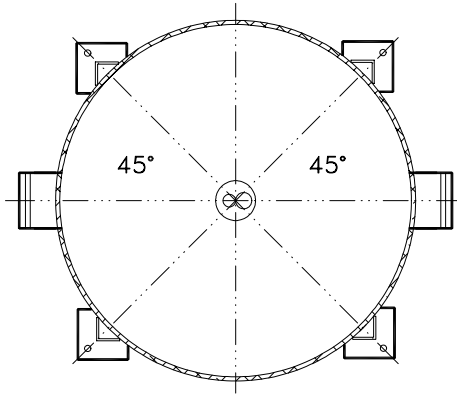
Customer:

Representative:

Approved By: Date:



P.O. Box 55
 Cheswick, Pennsylvania 15024
 724-274-5430
 Fax: 724-274-5448



(4) 3"x3"x1/4" steel angle legs and 6"x6"x1/4" baseplates w/ 3/4" hole in each plate on 49" boltcircle

V500CWB-G-SL