

Job Name:

Customer:

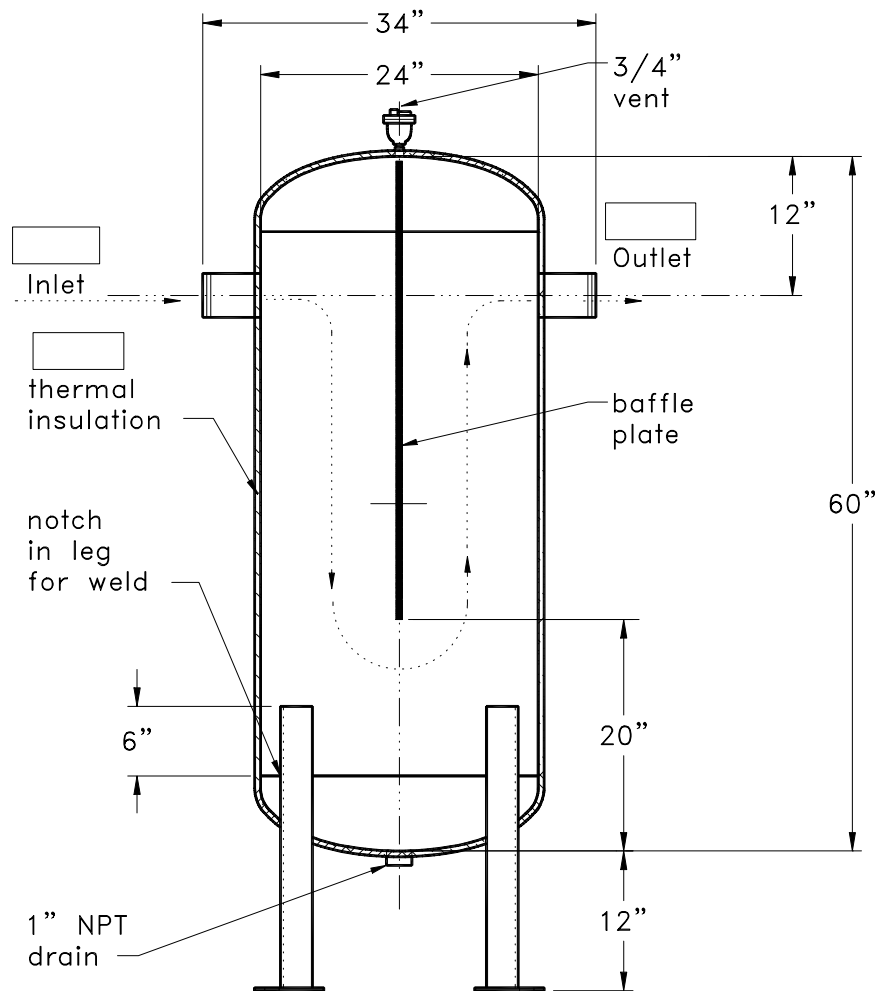
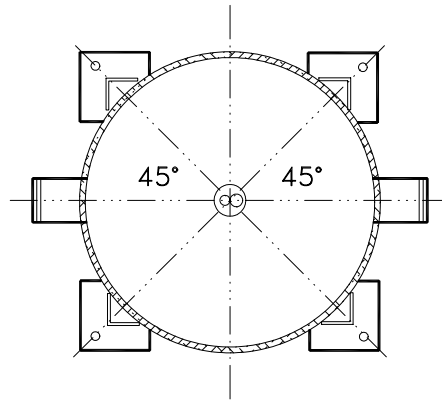
Representative:

Approved By: Date:



P.O. Box 55
Cheswick, Pennsylvania 15024

724-274-5430
Fax: 724-274-5448



(4)
2-1/2"x2-1/2"x1/4"
steel angle legs
and 6"x6"x1/4"
baseplates w/
3/4"Ø hole in
each plate on
30-7/8"
boltcircle

V120CWB-G-SL