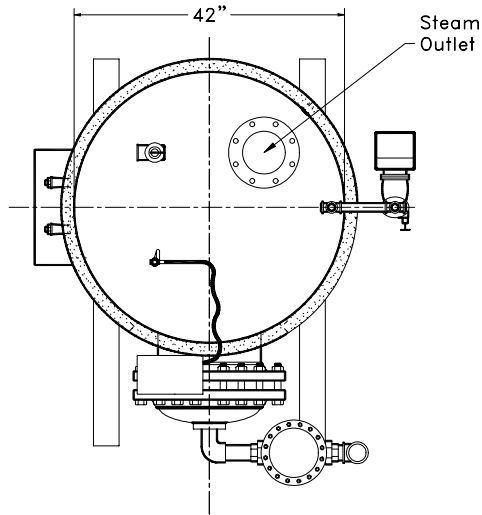
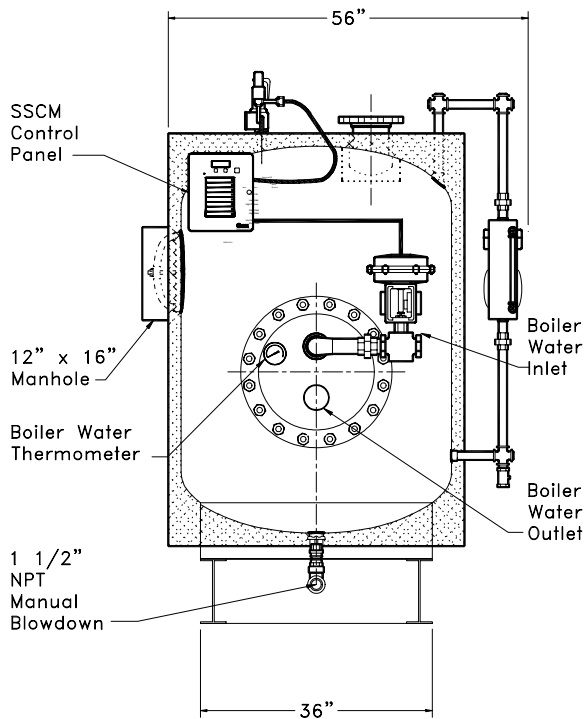


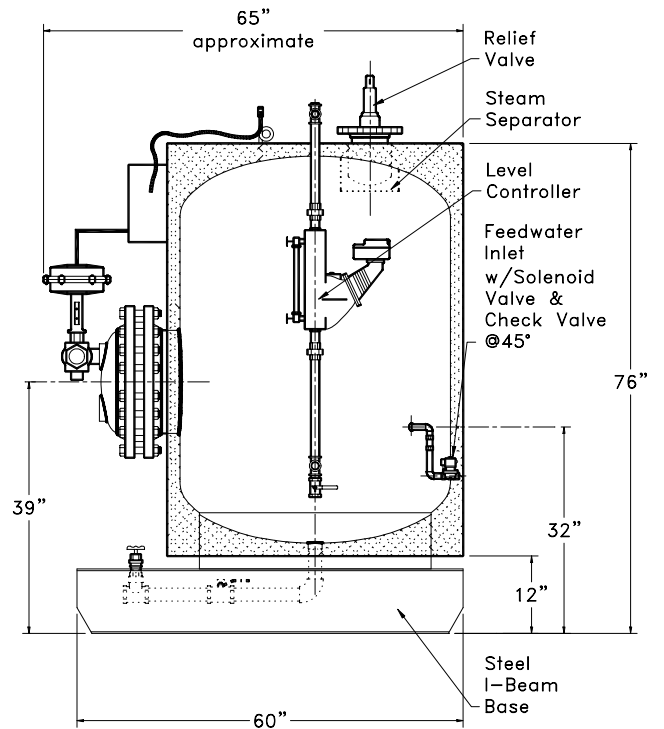
TOP



FRONT



SIDE



V320USG-W
Energy Source-Boiler Water