

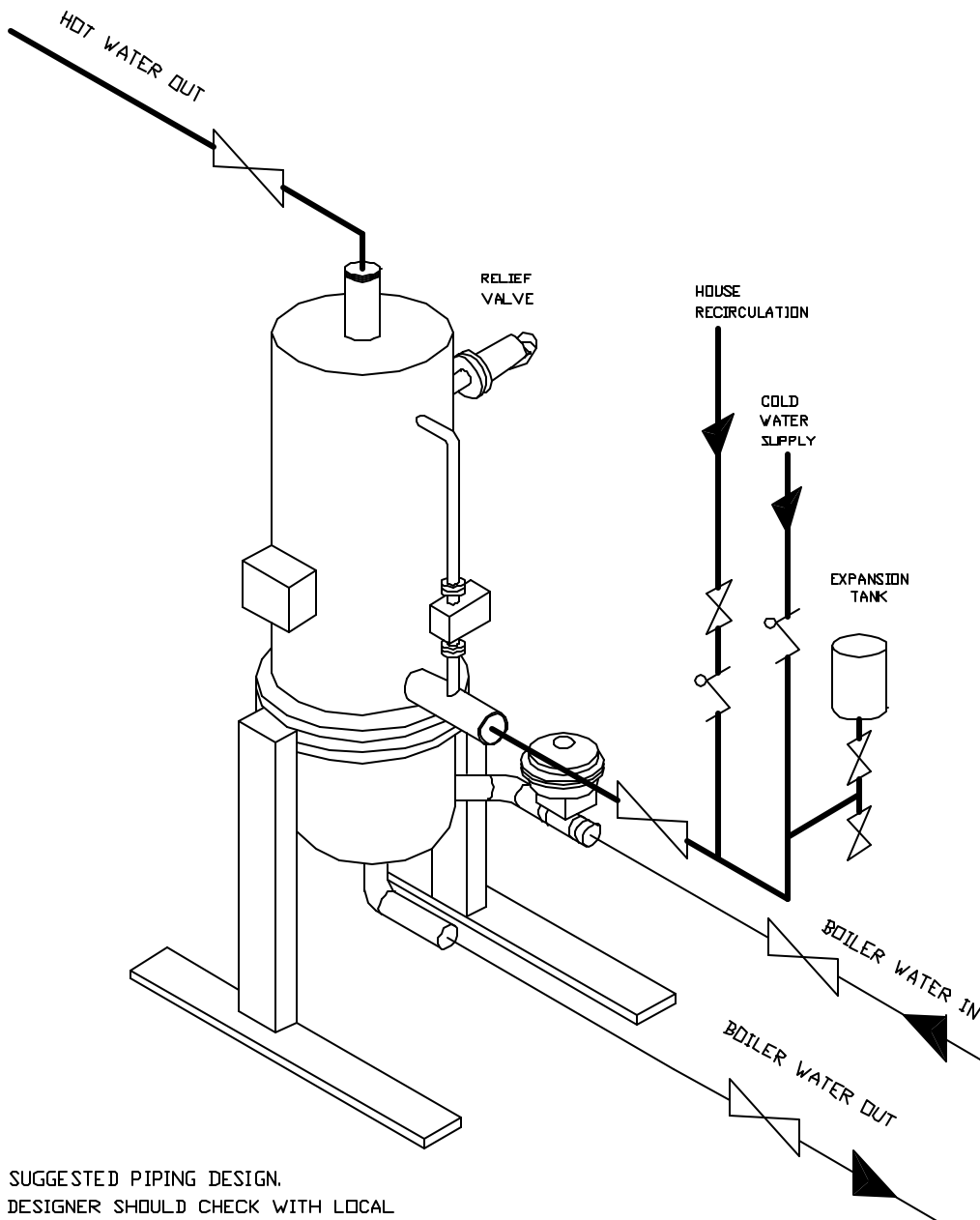
	STOP VALVE
	CHECK VALVE
	CIRCULATOR

SEH SERIES
 BOILER FIRED WATER HEATER
 2-WAY CONTROL VALVE



NOTES: SUGGESTED PIPING DESIGN.
 DESIGNER SHOULD CHECK WITH LOCAL
 CODES TO VERIFY COMPLIANCE.
 PIPE ALL RELIEF VALVES TO DRAIN.