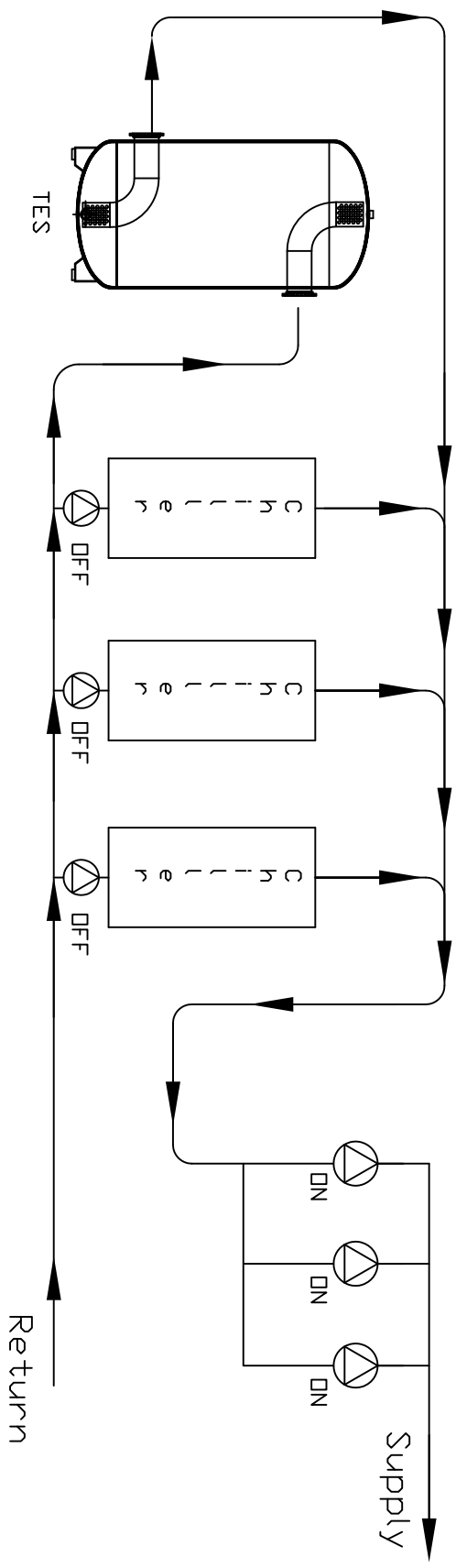
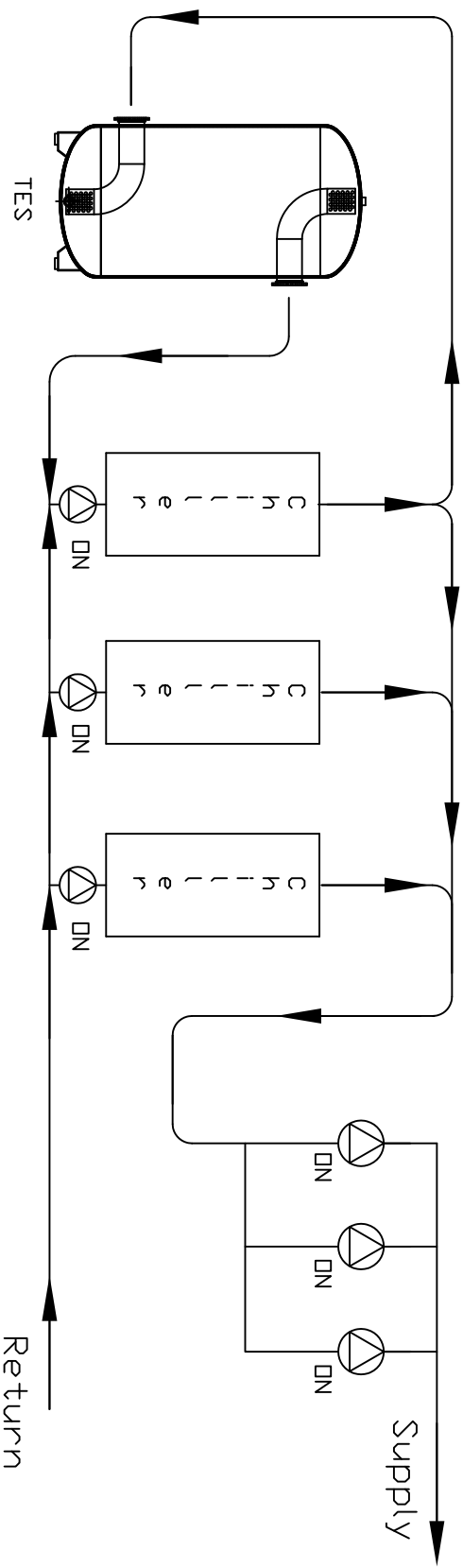


Recommended Piping Diagram for TES's in Primary/Secondary Chilled Water Systems



Date: 11/23/2020
 Drawn by: CLJD
 CN#: TES Submittals\TES piping primary-secondary

