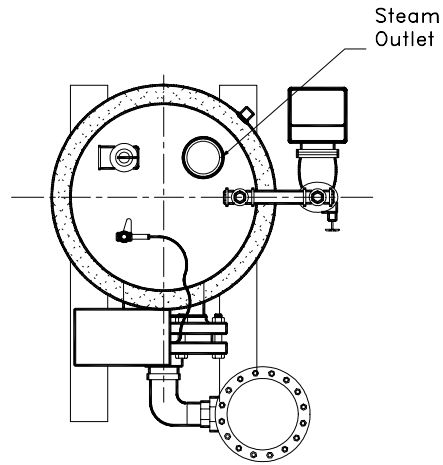
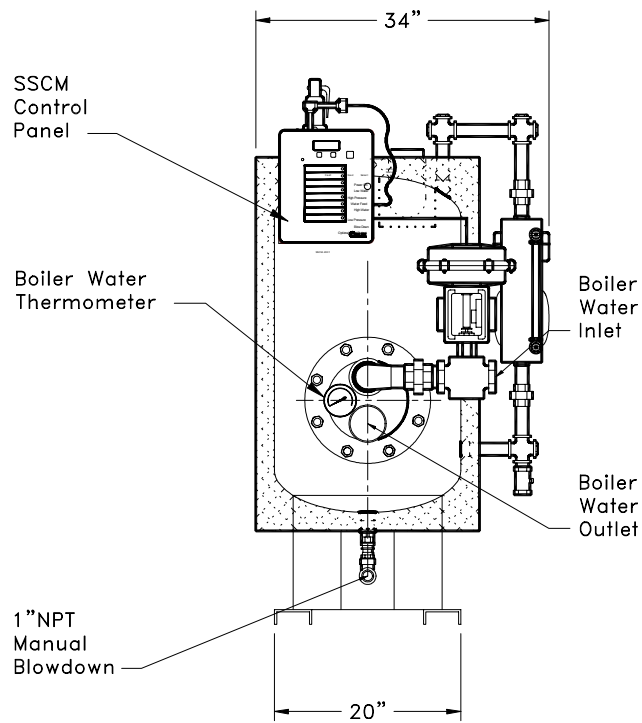


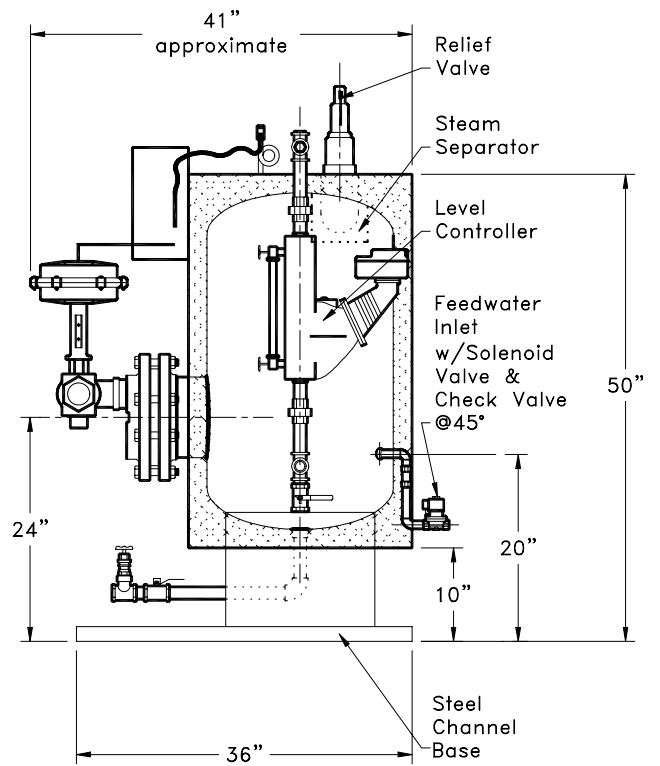
TOP



FRONT



SIDE



V45USG-W

Energy Source – Boiler Water