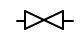
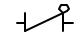

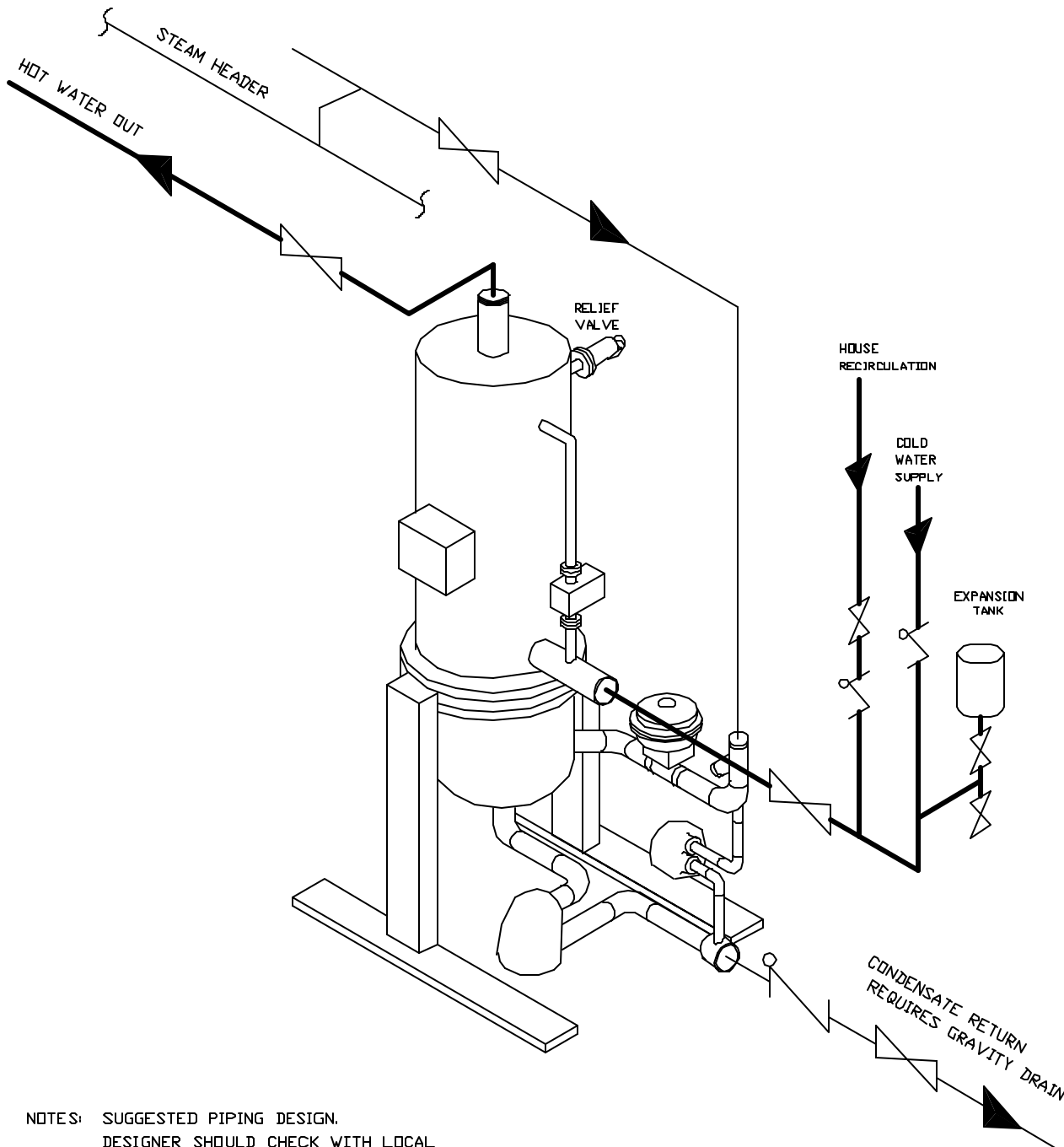




SEH SERIES  
STEAM FIRED WATER HEATER

	STOP VALVE
	CHECK VALVE
	CIRCULATOR



NOTES: SUGGESTED PIPING DESIGN.  
DESIGNER SHOULD CHECK WITH LOCAL  
CODES TO VERIFY COMPLIANCE.

PIPE ALL RELIEF VALVES TO DRAIN.